

Aotoro®

SR

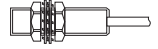
INSTRUCTION MANUAL

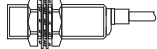
使用说明书


HALL SENSOR
霍尔开关

A2302-07

Model selectable 型号选择

Appearance 外形	OUTPUT	Model型号
M8 	NPN NO	SR08-10DN

Appearance 外形	OUTPUT	Model型号
M12 	NPN NO	SR12-10DN
	PNP NO	SR12-10DP

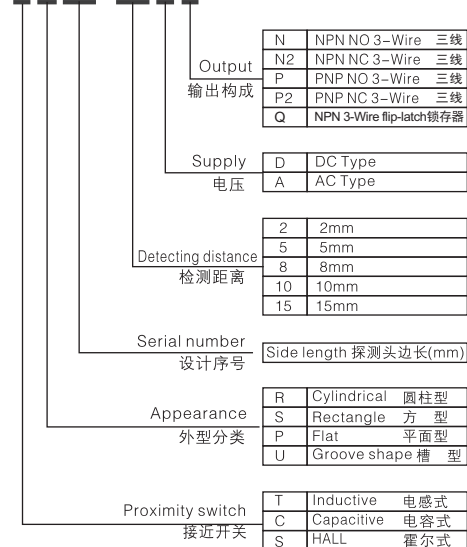
Appearance 外形	OUTPUT	Model型号
M18 	NPN NO	SR18-10DN
	PNP NO	SR18-10DP

Specification 规格

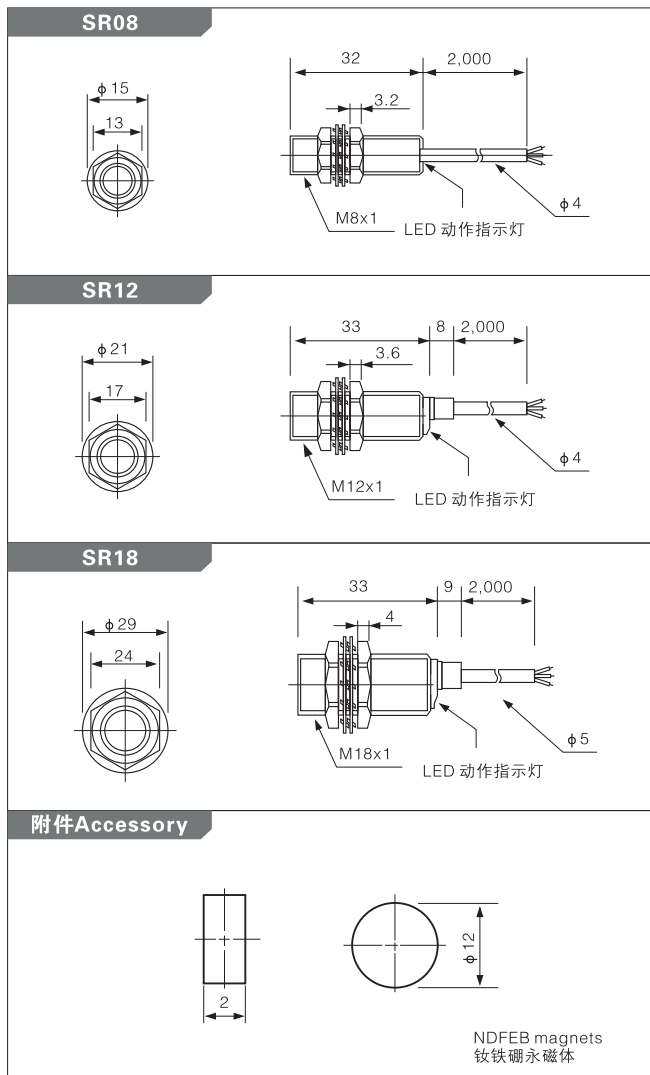
Model型号	SR08-10DN	SR12-10DN SR12-10DP	SR18-10DN SR18-10DP
Detecting distance 探测距离	5-10mm		
Standard detecting target 标准探测体	φ 12X2mm NDFEB magnets(钕铁硼永磁体)		
Detecting target 探测物体	Magnets永磁体		
Hysteresis 回差	Max.20% of detecting distance (检测距离的20%以下)		
Power supply 电源电压	5-24VDC		
Current consumption 静态电流	MAX.2mA	MAX.10mA	
Response frequency 频率	5KHZ	2KHZ	
Residual voltage 残留电压	MAX.1.0V	MAX.1.5V	
Control output 控制输出	MAX.50mA	MAX.200mA	
Protection circuit 电路保护	Reverse polarity protection反极性保护, Surge absorber浪涌保护		
Insulation resistance 绝缘	Min.50MΩ (500VDC)		
Dielectric strength 耐电压	1500VAC 50/60HZ for 1 minute		
Operating temperature 使用环境温度	-25 to +70°C (non-freezing condition 不结冰)		
Ambient humidity 使用环境湿度	35 to 95% RH		
Protection 保护结构	IP67 (IEC Specification)		
Material 材质	Case:brass, Detecting surface:ABS 壳体:黄铜, 检测面:ABS		

Ordering information 订购信息

SR12-10DN

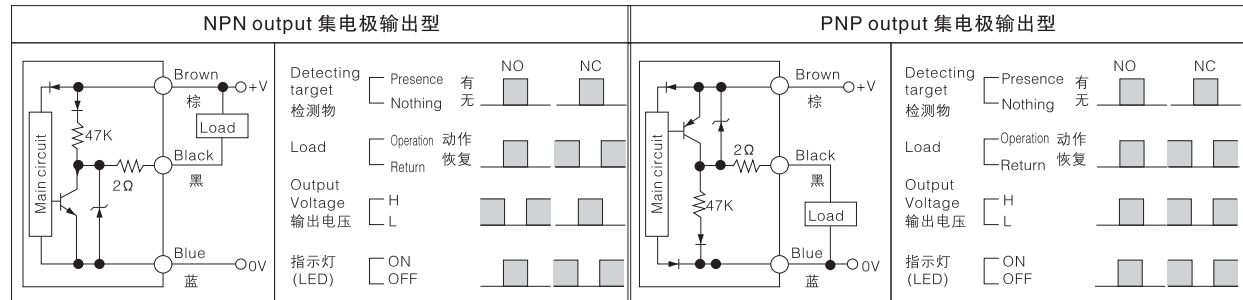


Dimensions 尺寸(unit:mm)



Control diagram 控制输出图

● DC 3-wire(三线型)



Precautions in using the product 使用注意事项

NOTE 注意

Be sure to follow the safety precautions below for added safety
以下项目在安全确保方面非常重要,请务必遵守。

- Do not use the sensor under the explosive or flammable gas environment.
请不要在具有可燃性、爆炸性气体的环境下使用。
- Never disassemble, repair or tamper the product.
请勿拆卸、修理、改造本产品。
- Keep the supply voltage within the specified area.
电源电压必须在额定值内。
- Use the load under the specified area. 请使用额定值以下的负荷。

Caution for using 正确使用方法

- Do not use the product under the following conditions.
请不要在以下的环境中使用。
 - In the place of the direct sunlight. 日光直射场所。
 - In the place where humidity is high and condensation may occur.
湿度高或易结露场所。
 - In the place of the corrosive gas exists. 含腐蚀性气体场所。
 - In the place where vibration or shock is directly transmitted to the product. 振动或冲击能直接传送到传感器场所。
- Connection and Mounting 连接和安装
 - Be sure that before giving the power, the supply voltage is less than the maximum rated supply voltage.
通电前请确认供电电源电压小于最大允许电源电压。
 - There are some cases where the sensors cable is unavoidably laid in a tube or duct together with a high tension or power line. This causes an induction, possibly resulting in malfunction or damage. In principle, the cable should be separately laid or shielded.
传感器导线和动力线或电力线装在同一配管中使用时,会受到干扰,有误动作甚至被损坏。原则上传感器导线必须单独放置或者被屏蔽。
 - For extending wires, whose cross section is greater than 0.3sqmm and the length less than 100m. 延长导线必须使用截面积0.3mm²以上、长度100m以下导线。
 - Do not pull wire strongly. 导线请勿用力拉扯。
 - Excessive force (hitting by hammer, etc.) Should not be put on the sensors because it may damage its water-resistance. 安装传感器时,请勿使传感器受剧烈外力(如用锤击打等),这样就有可能破坏传感器防水保护性能。
- Power supply 电源
When using a commercially available switching regulator, be sure to ground the FG(Frame Ground) terminals.
使用市场上销售的开关整流器时,请将FG(Frame Ground)端子接地。
- Power supply reset time 电源重新调整时间

The sensors will begin sensing no later than 100ms after the power is turned on. If the load and the sensors connected to different power supply, the sensors must be always turned on first. 从接通电源到传感器可正常进行检出的时间是100ms后再使用。负载和传感器接不同电源时,一定要先接通传感器的电源

5. Turning off the power supply 电源关闭
When turning off the power, output pulse may be generated. We recommend turning off the power supply of the load or load line first. 电源关闭时,可能会出现输出脉冲,所以我们建议先关闭负载或负载线的电源

浙江欧迪龙电子科技有限公司
Zhejiang Aotoro Electronic Technology CO., LTD

ADD: Liuhuagang Road 2188#, Liushi town, Yueqing city, Zhejiang province. PRC 325604
浙江省乐清市柳市镇柳黄路2188号

TEL: 86-577-61758688 FAX: 86-577-62757002
Http://www.aotoro.com E-mail: aotoro@aotoro.com